



DK 0604 G



- with copper branch terminal
- Dimensions H x W x D: 130 x 130 x 77 mm
- With elastic membranes, which can be removed for cable entry via cable glands

ELECTRICAL PROPERTIES

Rated insulation voltage:

$U_i = 690 \text{ V}$

Rated current:

$I_n = 32 \text{ A}$

CONNECTION DATA

Terminal cross-section:

Maximum number of conductors clamping units each	Conductor cross-section min.	Conductor cross-section max.	Conductor cross section	Conductor type	Conductor material
4	1.5 mm ²	1.5 mm ²	solid, stranded, flexible	round	Cu
3	2.5 mm ²	2.5 mm ²	solid, stranded, flexible	round	Cu
2	4 mm ²	4 mm ²	solid, stranded, flexible	round	Cu
1	6 mm ²	6 mm ²	solid, stranded, flexible	round	Cu

Number of clamping units per pole:	2
Connection type:	Screw connection
Ferrule required for flexible conductors:	No
Dismantling length:	10 mm
Tightening torque of the terminal:	0.7 Nm

CABLE ENTRIES

Cable entries:

Number of cable entries	Type of cable entry	Size of the metric knock-outs	Sealing range of the cable entry	Location of cable entry
7	elastic membranes	M25, M32	9 mm - 21 mm	wall
1	elastic membranes	without	9 mm - 20 mm	bottom

MECHANICAL PROPERTIES

Type of lid fastening:	Quick locking: Opening and closing by quarter turn, locked position well visible (open - locked)
Delivered accessories:	External brackets, retaining strap, sealing plug
IP degree of protection:	IP66
Impact strength:	IK07
Sealable without accessories:	Yes

AMBIENT CONDITIONS

Application area: Indoor installation
Maximum ambient temperature 24 h: 35 °C
Ambient temperature: -25 °C up to +40 °C
Relative humidity: ≤ 50 % at 40 °C, ≤ 100 % at 25 °C

MATERIAL PROPERTIES

Material: Polypropylene
Glow wire test according to IEC 60695-2-11: 750 °C
UL 94: V-2
Temperature resistance: -25 °C up to +80 °C
Halogen-free: Yes
Silicone-free: Yes

DIMENSIONS

Height: 130 mm
Width: 130 mm
Depth: 77 mm
Net weight: 0.215 kg

COLOURS

Colour: Grey, similar to RAL 7035

CERTIFICATES

conforming to the standards: DIN EN 60670-1/-22, IEC 60670-1/-22

Certificates:

Type of certificate	Certificate number
VDE	40049684

SALES DATA

Product number: 62000006
EAN: 4012591124986
Pack unit: 5

Customs tariff number: 85369010
ETIM class: DYNAMIC: EC002600 - Box/housing for surface mounting on the wall/ceiling
ETIM-8.0: EC002600 - Box/housing for surface mounting on the wall/ceiling
ETIM-7.0: EC002600 - Box/housing for surface mounting on the wall/ceiling
ETIM-6.0: EC002600 - Box/housing for surface mounting on the wall/ceiling
ETIM-5.0: EC002600 - Box/housing for surface mounting on the wall/ceiling
ETIM-4.0: EC002600 - Box/housing for surface mounting on the wall/ceiling

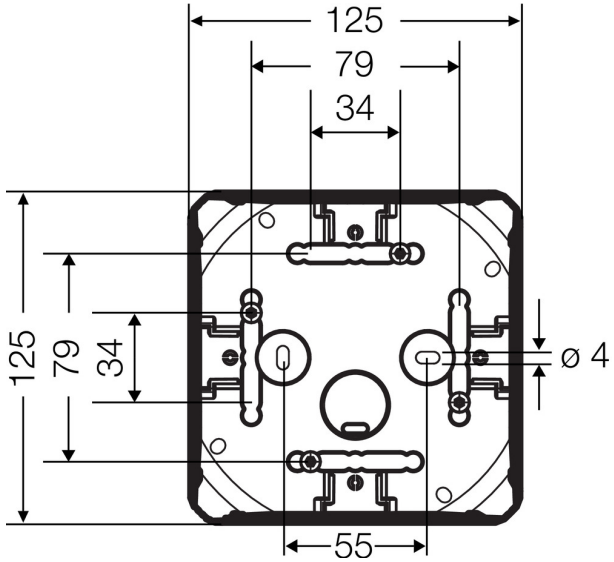
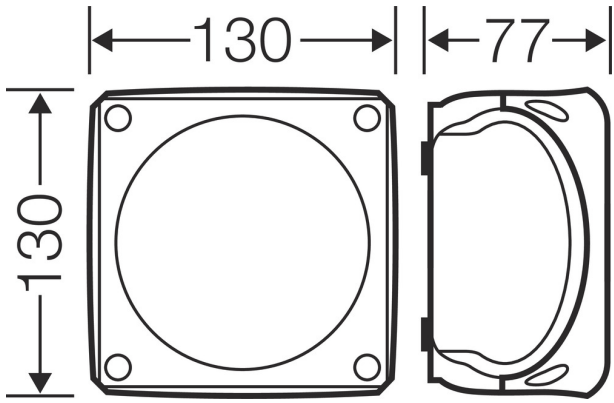
NOTE

When using the sealing plugs supplied, the specified protection class is not changed.

TENDER TEXT

Tender text: Nominal cross-section: 1.5-4 mm², 5-pole terminal, dimensions HxWxD 130 x 130 x 77 mm, Cable junction boxes in accordance with IEC 60670-22 with built-in connecting terminal and removable elastic membranes. Suitable for indoor and protected outdoor installation in accordance with DIN VDE 0100, part 737. For ambient temperatures maximum value +40 °C and minimum value -25 °C, with relative humidity of 50 % at +40 °C or 100 % at +25 °C. Material temperature resistance from -25 °C to +70 °C, burning behaviour according to IEC 60695-2-11 - glow wire test 750°C, UL Subject 94 V-2. Degree of protection in accordance with IEC 60529: IP 66. Rated insulation voltage: 690 V. Material: thermoplastics, halogen- and silicone-free. Colour: grey, RAL 7035. Lid fastening with quick fasteners, sealable without accessories. Plug-in external brackets for wall mounting included. Make: HENSEL ENYCASE DK.

DRAWINGS



2x Ø9-21 mm

2xM25/32

2x Ø9-21 mm 2x Ø9-21 mm

2xM25/32 2xM25/32



1x Ø9-21 mm

1xM25/32