


Empty enclosures in accordance with IEC 62208




KG 9001

- Built-in dimensions W 101 x H 205 x D 95 mm

IP
ESM
55

IP
66

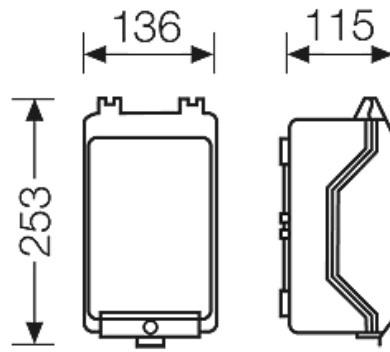


- for installation equipment on DIN rails or mounting plates (order separately)
- max. installation depth with built-in mounting plate 95 mm, with built-in DIN rail 89 mm
- with transparent hinged lid
- fastener for tool operation
- sealable
- cable entry via metric knockouts
- included cable entry: 2 ESM 25, sealing range \varnothing 9-17 mm and 1 ESM 32, sealing range \varnothing 9-23 mm
- colour: grey, RAL 7035
- material: PS (polystyrene)

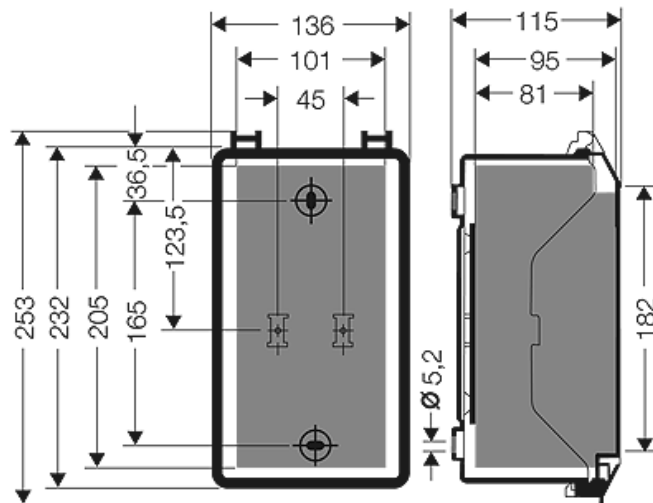
rated insulation voltage	$U_i = 1000 \text{ V a.c./d.c.}$
impact strength	IK 08 (5 Joule)
static load	mounting plate or DIN rail = 1.3 kg lid = 1.2 kg
power dissipation capability at $\Delta\theta = 40 \text{ K}$	$P_{de} = 16.5 \text{ watts}$
wall thickness	enclosure = 3 mm lid = 3 mm
protection class	II
material	PS (Polystyrene)
width	136 mm
height	253 mm
depth	115 mm
weight	0,541 kg
in accordance with	IEC 62208:2011

Drawings

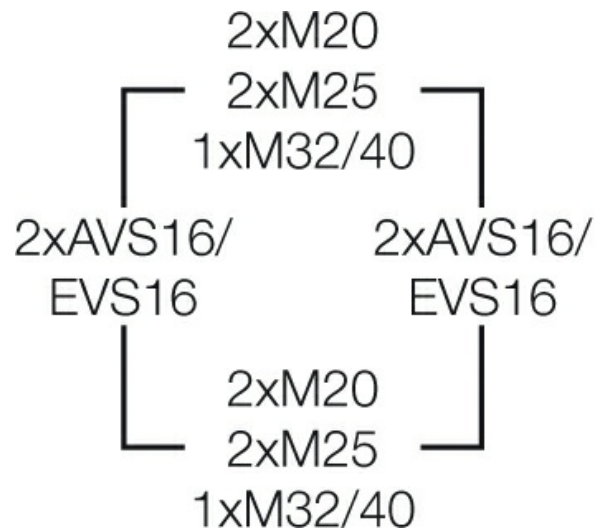
Dimension drawing



Detail mass



Box walls



Operating and ambient conditions

Application area	Suitable for indoor installation and outdoor installation, protected against weather influences However, pay attention to the climatic effects on the installed equipment , for example, high or low ambient temperatures or formation of condensed water see technical information
Ambient temperature	Maximum value + 60 °C Minimum value - 25 °C
Fire protection in the event of internal faults	Demands placed on electrical devices from standards and laws Minimum requirements - Glow wire test in accordance with IEC 60695-2-11: - 650°C for boxes and cable glands - 850°C for parts of insulating material necessary to retain current carrying parts in position
Burning behaviour	Glow wire test IEC 60695-2-11: 750 °C UL Subject 94: V-2 flame-retardant self-extinguishing
Degree of protection against mechanical load	IK08 (5 Joule)
Toxic behaviour	halogen-free "halogen-free" in accordance with the examination of the cables and insulated wires - corrosiveness of fumes - as per IEC 60754-2
Note:	For material properties see technical data.